

Excellent Technology, Efficiency and Quality



UPS ENERTRONIC I

- Industrial version
- Single-phase and three-phase output

ENERTRONIC I UPS – developed to meet industrial demands



Figure 1: Possible grid disturbances

Maintaining safe operation – even during grid disturbances or power cuts

The ever-increasing requirement for data, as well as the rise in automated production processes that include complex data networking (Industry 4.0), necessitate a reliable and trouble-free current supply.

However, power irregularities caused by high loading of the public power supply cannot be avoided. This can be caused by grand scale energy consumers, on grid switching in periods of maximum consumption or lightning strikes. The results are voltage dips, overshooting and transients in the public power supply.

To maintain crucial tasks and minimise downtime some critical consumers require power, which is independent of public grid disturbances. Those critical customers are for example:

- **Petrochemical installations**
- **Refineries**
- **Power stations and substations**
- **Process computers**
- **Control rooms**
- **SCADA systems**

All of which require robust, uninterruptible power supplies (UPSs) to meet this criteria.

The static UPS installation doesn't only supply connected consumers with continuously and free of interruption power, but furthermore also achieves a significant improvement in voltage and frequency quality in comparison with the normal grid.

In normal operation the function chain (rectifier, inverter and output transformer) supplies the consumer. The ENERTRONIC I UPS corresponds to the maximum UPS classification VFI SS 111 in accordance with IEC / EN 62040-3 and provides maximum safety and economy on the basis of the following features:

- **IGBT power semiconductor in the rectifier and inverter**
- **Input power factor ≥ 0.99**
- **Input current THD (THDi) $< 5\%$**
- **Excellent control properties for high voltage stability, even with large load changes**
- **Electronic Static Switch (EUE) and internal service bypass**
- **Extensive reporting and monitoring functions**

ENERTRONIC I – technical details for your extra safety

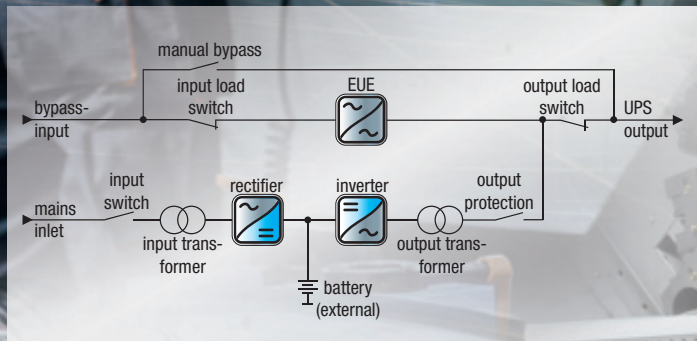


Figure 2: Overview of circuit diagram



Figure 3: ENERTRONIC I 40 KVA

Electronic Static Switch (EUE)

The static switch facilitates the switch to bypass supply (bypass-grid) without any interruption and whilst maintaining the specified tolerances. The switch over can be achieved auto-matically by the control signal or manually by the user.

System monitoring and control circuitry prevents operating errors, as well as any illogical switching function of the EUE. Thus, any uninterrupted switch over (whether automatic or manual) is only possible when voltage, frequency and phasing of the inverter are synchronised with the bypass-grid.

Grid frequency deviations outside the specified tolerances will inhibit the EUE operations.

The EUE consists of a static, micro-processor-controlled and inverse paired thyristor set in the grid bypass. It switches over the connected loads to the grid automatically and free of interruption if the UPS output voltage deviates from prescribed tolerances for any reason.

The EUE has an overload capability of 150% for 10 minutes and 500% (ENERTRONIC I 3-1) or 1000% (ENERTRONIC I 3-3) for 100 ms. It automatically switches the load back to the inverter when there has been an overload or short circuit and operation is normal again.

Internal manual-bypass

The UPS is fitted with an internal service bypass (manual bypass) with a manually operated switch. This facilitates complete disconnection of the ENERTRONIC I from the consumer supply. The consumer is then supplied directly from the grid (Figure 2).

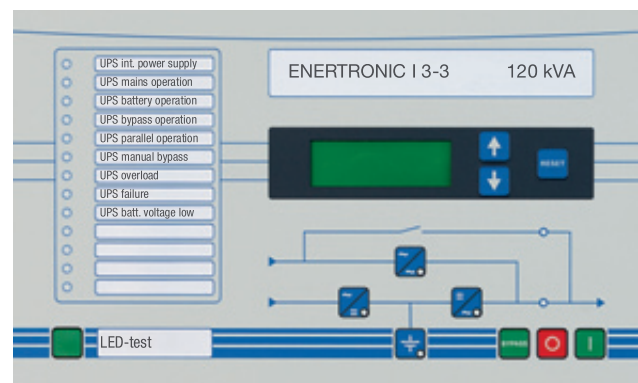


Figure 4: Standard control unit



Figure 5: ENERTRONIC I with standard control unit

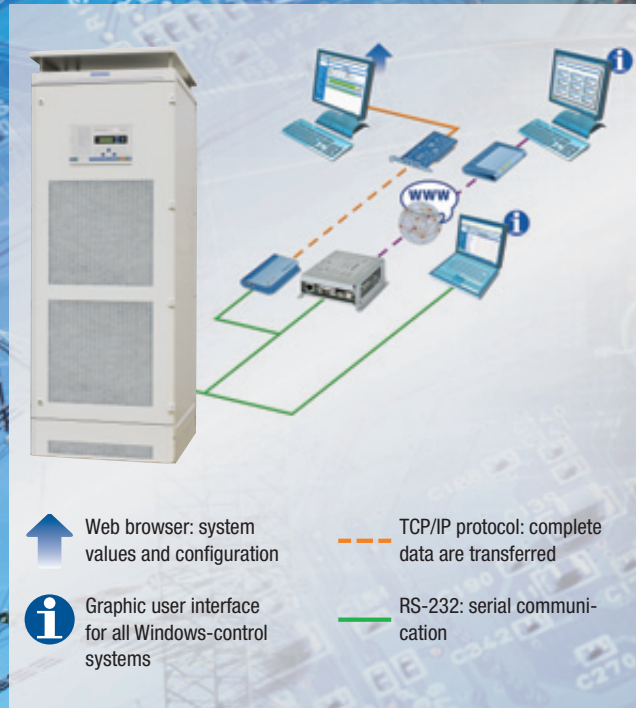


Figure 6: Extensive reporting and monitoring functions

Parallel switching capability with Group-Connector

Up to 8 ENERTRONIC I series UPS can be connected in parallel for redundancy (N+1) purposes or to increase load capacity. It operates with an active load-sharing function in active and passive master operation modes.

The Group Connector makes it possible to operate two UPS systems in parallel. Load sharing parallel operation is achieved by means of a bus coupler switch connecting the outputs of the UPS systems, it is then possible to confirm the status of the bus coupler switch setting during operation by means of auxiliary contacts. When the bus coupler switch is closed, the load is equally shared by both UPS systems and when the bus coupler switch is open, the UPS systems supply their respective connected loads independently from each other. This therefore results in a secure supply to the load at all times.

High short-circuit current

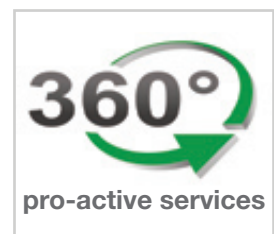
As an option, the inverter output-short-circuit current capability can be increased to 700% for 3 seconds (ENERTRONIC I 3-3) or 400% for 3 seconds (ENERTRONIC I 3-1). Depending on the UPS power rating it may be necessary to increase the cabinet size if this option is taken.

Maintaining long-term reliability – by pro-active 360° services

By placing your trust in a BENNING UPS installation you have decided on a high-quality product from a world leader in the production of AC and DC power supplies. BENNING UPS offers a reliable, globally orientated service structure that provides the best possible support for your requirements. You have access to high-quality support, spare parts and expert knowledge – wherever and whenever you require them.

With a BENNING service contract you can rely on a high standard of service with reliable delivery dates and rapid delivery of spare parts.

With its pro-active services BENNING can help you secure the maximum availability of your current supply – helping you meet the challenges of today and the opportunities of tomorrow.



www.benning-services.com

Touch Panel (optional)

- Graphic interface with display of the energy flow and the system status
- Support for all common standard languages
- Event monitor for the last 1200 events. Complete documentation of data, time and report in clear text
- Customized configuration possible
- Function setting of the remote control as well as adjustment of the operating parameters



Technical Data

| ENERTRONIC I 3-3 (three-phase input and three-phase output) | | | | | | | | | | | | | | | | |
|--------------------------------------------------------------------|-------|-----------------------------------------------------------------------|----|----|-------|----|----|-------|-----|-----|-----|-----|-----|-----|--|--|
| Power*1 (cosφ = 0.8) | [kVA] | 10 | 20 | 30 | 40 | 50 | 60 | 80 | 100 | 120 | 140 | 160 | 200 | 240 | | |
| Power*1 (cosφ = 1.0) | [kW] | 8 | 16 | 24 | 32 | 40 | 48 | 64 | 80 | 96 | 112 | 128 | 160 | 192 | | |
| Operating temperature range | | 0 ... 40 °C, 32 ... 104 °F (reduction in power beyond this) | | | | | | | | | | | | | | |
| Relative air humidity | | 5 ... 95% (non-condensing) | | | | | | | | | | | | | | |
| Volume | | < 65 dBA (as a function of power) | | | | | | | | | | | | | | |
| Protection class | | NEMA1 (further classes on request) | | | | | | | | | | | | | | |
| Installation height | | 1000 m, 3280 ft (without reduction in power) | | | | | | | | | | | | | | |
| Cable entry point | | below (above on request) | | | | | | | | | | | | | | |
| Color | | RAL 7035 (other colours on request) | | | | | | | | | | | | | | |
| Ventilation | | redundant forced-air ventilated | | | | | | | | | | | | | | |
| Classification | | VFI-SS-111 (according to IEC / EN 62040-3) | | | | | | | | | | | | | | |
| Standards | | | | | | | | | | | | | | | | |
| Safety | | IEC / EN 62040-1 / UL1778 / CSA | | | | | | | | | | | | | | |
| EMC | | IEC / EN 62040-2 | | | | | | | | | | | | | | |
| Performance | | IEC / EN 62040-3 | | | | | | | | | | | | | | |
| Input | | | | | | | | | | | | | | | | |
| Voltage | | 3PH 600 V / 480 V / 220 V / 208 V ± 15% (further voltages on request) | | | | | | | | | | | | | | |
| Frequency | | 50 Hz ± 5% / 60 Hz ± 5% | | | | | | | | | | | | | | |
| THDi (100% load) | | ≤ 5 (with IGBT rectifier. With SCR rectifier depending on filter) | | | | | | | | | | | | | | |
| Input power factor | | ≥ 0.99 | | | | | | | | | | | | | | |
| Transformer | | Isolation transformer | | | | | | | | | | | | | | |
| Output (inverter mode) | | | | | | | | | | | | | | | | |
| Voltage | | 480 V / 220 V / 208 V (further voltages on request) | | | | | | | | | | | | | | |
| Voltage tolerance (static) | | ± 1% | | | | | | | | | | | | | | |
| Frequency tolerance | | ± 0.1% | | | | | | | | | | | | | | |
| Total harmonics distortion THDu | | Linear Load ≤ 1% | | | | | | | | | | | | | | |
| Efficiency | | up to 94% (as a function of the configuration) | | | | | | | | | | | | | | |
| Overload operation - inverter | | 200% for 3 s, 150% for 60 s, 125% for 10 min | | | | | | | | | | | | | | |
| Overload operation - bypass | | 1000% for 100 ms, 150% for 10 min | | | | | | | | | | | | | | |
| Short-circuit behaviour - inverter | | up to 350% for 3 s (up to 700% as an option) | | | | | | | | | | | | | | |
| Short-circuit behaviour - bypass | | 1000% for 100 ms | | | | | | | | | | | | | | |
| Transformer | | Isolation transformer | | | | | | | | | | | | | | |
| Battery | | | | | | | | | | | | | | | | |
| Nominal voltage | | 125 V | | | 250 V | | | 400 V | | | | | | | | |
| Battery technologies | | Lead, nickel cadmium, lithium Ion, Sodium (optional) | | | | | | | | | | | | | | |

(*1 higher power ratings on request)

Specifications are subject to change without notice.

ENERTRONIC I UPS – the most important technical data at a glance

Technical Data

| ENERTRONIC I 3-1 (three-phase input and single-phase output) | | | | | | | | | | | | | |
|---------------------------------------------------------------------|-------|----------------------------------------------------------------------|----|----|----|----|----|----|-----|-----|-----|-----|-----|
| Power (cosφ = 0.8) | [kVA] | 10 | 20 | 30 | 40 | 50 | 60 | 80 | 100 | 120 | 140 | 160 | 200 |
| Power (cosφ = 1.0) | [kW] | 8 | 16 | 24 | 32 | 40 | 48 | 64 | 80 | 96 | 112 | 128 | 160 |
| Operating temperature range | | 0 ... 40 °C, 32 ... 104 °F (reduction in power beyond that) | | | | | | | | | | | |
| Relative air humidity | | 5 ... 95% (non-condensing) | | | | | | | | | | | |
| Volume | | < 65 dBA (as a function of power) | | | | | | | | | | | |
| Protection class | | NEMA1 (further classes on request) | | | | | | | | | | | |
| Installation height | | 1000 m, 3280 ft (without reduction in power) | | | | | | | | | | | |
| Cable entry point | | below (above on request) | | | | | | | | | | | |
| Color | | RAL 7035 (other colours on request) | | | | | | | | | | | |
| Ventilation | | redundant forced-air ventilated | | | | | | | | | | | |
| Classification | | VFI-SS-111 (according to IEC / EN 62040-3) | | | | | | | | | | | |
| Standards | | | | | | | | | | | | | |
| Safety | | IEC / EN 62040-1 / UL1778 / CSA | | | | | | | | | | | |
| EMC | | IEC / EN 62040-2 | | | | | | | | | | | |
| Performance | | IEC / EN 62040-3 | | | | | | | | | | | |
| Input | | | | | | | | | | | | | |
| Voltage | | 3PH 600 V / 480 V / 220 V / 208 V ±15% (further voltages on request) | | | | | | | | | | | |
| Frequency | | 50 Hz ± 5% / 60 Hz ± 5% | | | | | | | | | | | |
| THDi (100% load) | | ≤ 5 (with IGBT rectifier. With SCR rectifier depending on filter) | | | | | | | | | | | |
| Input power factor | | ≥ 0.99 | | | | | | | | | | | |
| Transformer | | Isolation transformer | | | | | | | | | | | |
| Output (inverter mode) | | | | | | | | | | | | | |
| Voltage | | 240 V / 220 V / 120 V (further voltages on request) | | | | | | | | | | | |
| Voltage tolerance (static) | | ± 1% | | | | | | | | | | | |
| Frequency tolerance | | ± 0.1% | | | | | | | | | | | |
| Total harmonics distortion THDu | | Linear load: < 1% | | | | | | | | | | | |
| Efficiency | | up to 91% (as a function of configuration) | | | | | | | | | | | |
| Overload operation - inverter | | 200% for 3 s, 150% for 60 s, 125% for 10 min | | | | | | | | | | | |
| Overload operation - bypass | | 500% for 100 ms, 150% for 10 min | | | | | | | | | | | |
| Short-circuit behaviour - inverter | | 300% for 3 s (up to 400% as an option) | | | | | | | | | | | |
| Short-circuit behaviour - bypass | | 500% for 100 ms | | | | | | | | | | | |
| Transformer | | Isolation transformer | | | | | | | | | | | |
| Battery | | | | | | | | | | | | | |
| Nominal voltage | | 125 V | | | | | | | | | | | |
| | | 250 V | | | | | | | | | | | |
| Battery technologies | | Lead, nickel cadmium, lithium Ion, Sodium (optional) | | | | | | | | | | | |

Specifications are subject to change without notice.

Modern power electronics for efficient operation

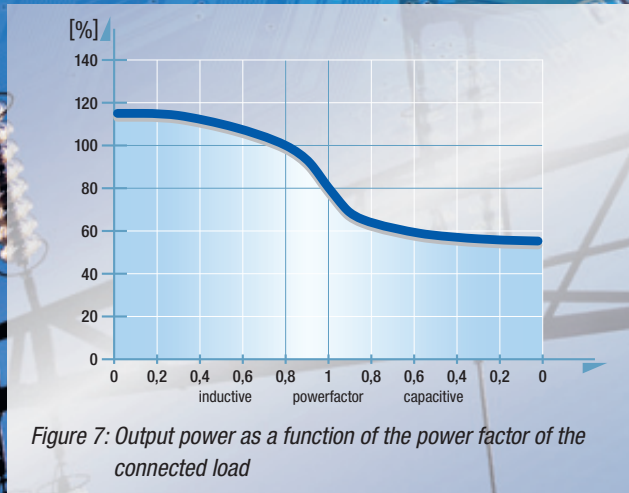


Figure 8: ENERTRONIC I 120 kVA with NEMA1

Rectifier

The rectifier consists of an IGBT semi-conductor rectifier bridge with power factor correction (power factor = 1), which converts the three-phase supply current into a controlled direct current in order to feed the inverter. At the same time the connected battery is charged and/or always kept in its optimum charge state by a trickle charging operation.

The rectifier is designed to simultaneously supply the fully loaded inverter and after a power failure, recharge the discharged battery. The rectifier has a start-up delay with soft start in order to ramp up the start-up current after a power failure. In the course of the reconnection of parallel installations, a series switching delay is automatically activated in order to limit the in-rush current to that of an individual rectifier.

The rectifier has a charge current and voltage limit in accordance with the data supplied by the battery supplier. A temperature-compensated charging characteristic line can also be integrated if required.

Optionally the rectifier can be built with Thyristor (SCR) technology. Additional input filters might be needed depending on the THDi requirements.

Inverter

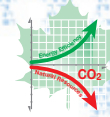
The inverter converts the direct current into single-phase voltage (ENERTRONIC I 3-1) or three-phase voltage (ENERTRONIC I 3-3) by means of sine-optimized pulse-width control in the IGBT semi-conductor and the output isolation transformer. As a consequence of the high switching frequency relative to the base frequency and optimum control of the pulse width, a very high level of efficiency is achieved, even with partial loads and a very small distortion factor with a non-linear load. Furthermore, this promotes an excellent dynamic response with load step changes.

In the event of voltage dips or black-outs, the battery connected to the DC bus bar is used automatically and free-of-interruption for the delivery of current. The battery discharging alarm is activated and if the battery reaches its end of discharge limit, the inverter switches off automatically and an alarm is activated.

Automatic switching of the load to the bypass supply occurs when the inverter supply can no longer be guaranteed within the prescribed tolerances.

BENNING worldwideISO
9001ISO
14001ISO
50001

SCCP

**Austria**

Benning GmbH
Elektrotechnik und Elektronik
Eduard-Klinger-Str. 9
3423 ST. ANDRÄ-WÖRDERN
Tel.: +43 (0) 22 42 / 3 24 16-0
Fax: +43 (0) 22 42 / 3 24 23
E-mail: info@benning.at

Belarus

000 «BENNING Elektrotechnik
und Elektronik»
Masherova Ave., 6A, 1003
224030, BREST
Tel.: +375 162 / 51 25 12
Fax: +375 162 / 51 24 44
E-mail: info@benning.by

Belgium

Benning Belgium
branch of Benning Vertriebsges. mbH
Assesteenweg 65
1740 TERNAT
Tel.: +32 (0) 2 / 5 82 87 85
Fax: +32 (0) 2 / 5 82 87 69
E-mail: info@benning.be

Croatia

Benning Zagreb d.o.o.
Trnjanska 61
10000 ZAGREB
Tel.: +385 (0) 1 / 6 31 22 80
Fax: +385 (0) 1 / 6 31 22 89
E-mail: info@benning.hr

Czech Republic

Benning CR, s.r.o.
Zahradní ul. 894
293 06 KOSMONOSY
Tel.: +420 / 3 26 72 10 03
E-mail: odbyt@benning.cz

France

Benning
conversion d'énergie
43, avenue Winston Churchill
B.P. 418
27404 LOUVIERS CEDEX
Tel.: +33 (0) / 2 32 25 23 94
Fax: +33 (0) / 2 32 25 13 95
E-mail: info@benning.fr

Germany

Benning Elektrotechnik und Elektronik
GmbH & Co. KG
Factory I: Münsterstr. 135-137
Factory II: Robert-Bosch-Str. 20
46397 BOCHOLT
Tel.: +49 (0) 28 71 / 93-0
Fax: +49 (0) 28 71 / 9 32 97
E-mail: info@benning.de

Great-Britain

Benning Power Electronics (UK) Ltd.
Oakley House, Hogwood Lane
Finchampstead
BERKSHIRE
RG 40 4QW
Tel.: +44 (0) 1 18 / 9 73 15 06
Fax: +44 (0) 1 18 / 9 73 15 08
E-mail: info@benninguk.com

Greece

Benning Hellas
Chanion 1, Lykovrisi 141 23
ATHENS
Tel.: +30 (0) 2 10 / 5 74 11 37
Fax: +30 (0) 2 10 / 5 78 25 54
E-mail: info@benning.gr

Hungary

Benning Kft.
Power Electronics
Rákóczi út 145
2541 LÁBATLAN
Tel.: +36 (0) 33 / 50 76 00
Fax: +36 (0) 33 / 50 76 01
E-mail: benning@benning.hu

Italy

Benning Conversione di Energia S.r.l.
Via Cimara, 81
40033 CASALECCHIO DI RENO (BO)
Tel.: +39 0 51 / 75 88 00
Fax: +39 0 51 / 6 16 76 55
E-mail: info@benningitalia.com

Netherlands

Benning NL
branch of Benning Vertriebsges. mbH
Peppelkade 42
3992 AK HOUTEN
Tel.: +31 (0) 30 / 6 34 60 10
Fax: +31 (0) 30 / 6 34 60 20
E-mail: info@benning.nl

Poland

Benning Power Electronics Sp. z o.o.
Korcunkowa 30
05-503 GŁOSKÓW
Tel.: +48 (0) 22 / 7 57 84 53
Fax: +48 (0) 22 / 7 57 84 52
E-mail: biuro@benning.biz

P. R. China

Benning Power Electronics (Beijing) Co., Ltd.
No. 6 Guangyuan Dongjie
Tongzhou Industrial Development Zone
101113 BEIJING
Tel.: +86 (0) 10 / 61 56 85 88
Fax: +86 (0) 10 / 61 50 62 00
E-mail: info@benning.cn

Russian Federation

000 Benning Power Electronics
Domodedovo town,
microdistrict Severny,
"Benning" estate, bldg. 1
142000 MOSCOW REGION
Tel.: +7 4 95 / 9 67 68 50
Fax: +7 4 95 / 9 67 68 51
E-mail: benning@benning.ru

Slovakia

Benning Slovensko, s.r.o.
Šenkvičká 3610/14W
902 01 PEZINOK
Tel.: +421 (0) 2 / 44 45 99 42
Fax: +421 (0) 2 / 44 45 50 05
E-mail: benning@benning.sk

South East Asia

Benning Power Electronics Pte Ltd
85, Defu Lane 10
#05-00
SINGAPORE 539218
Tel.: +65 / 68 44 31 33
Fax: +65 / 68 44 32 79
E-mail: sales@benning.com.sg

Spain

Benning Conversión de Energía S.A.
C/Pico de Santa Catalina 2
Pol. Ind. Los Linares
28970 HUMANES, MADRID
Tel.: +34 91 / 6 04 81 10
Fax: +34 91 / 6 04 84 02
E-mail: benning@benning.es

Sweden

Benning Sweden AB
Box 990, Hovslagarev. 3B
19129 SOLLENTUNA
Tel.: +46 (0) 8 / 6 23 95 00
Fax: +46 (0) 8 / 96 97 72
E-mail: power@benning.se

Switzerland

Benning Power Electronics GmbH
Industriestrasse 6
8305 DIETLIKON
Tel.: +41 (0) 44 / 8 05 75 75
Fax: +41 (0) 44 / 8 05 75 80
E-mail: info@benning.ch

Turkey

Benning GmbH Turkey Liaison Office
19 Mayıs Mah. Kürkçü Sokak No:16/A
34736 KOZYATAGI
KADIKÖY / İSTANBUL
Tel.: +90 (0) 2 16 / 4 45 71 46
Fax: +90 (0) 2 16 / 4 45 71 47
E-mail: info@benning.com.tr

UAE

Benning Power Systems
Middle East / Office: 918,
9th Floor, AYA Business Center
ADNIC Building, Khalifa Street
ABU DHABI
Tel.: +971 (0) 2 / 4 18 91 50
E-mail: benningme@benning.fr

Ukraine

Benning Power Electronics
3 Sim'yi Sosninykh str.
03148 KYIV
Tel.: 0038 044 501 40 45
Fax: 0038 044 273 57 49
E-mail: info@benning.ua

U.S.A.

Benning Power Electronics, Inc.
1220 Presidential Drive
RICHARDSON, TEXAS 75081
Tel.: +1 2 14 / 5 53 14 44
Fax: +1 2 14 / 5 53 13 55
E-mail: sales@benning.us